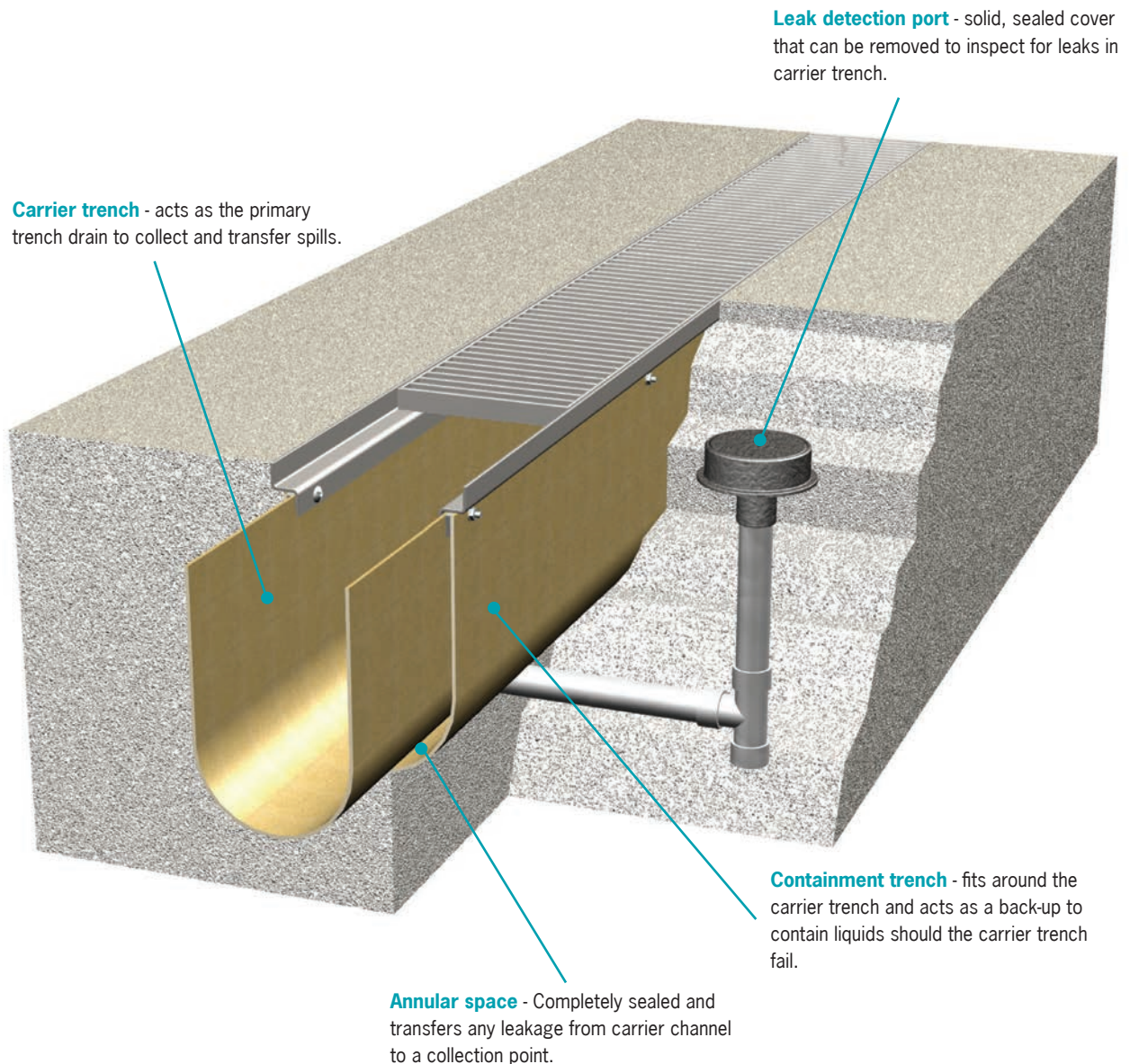


Aquaduct Double Containment Trench Drain System

- Positive Double Containment
- Chemical Resistant Materials
- Sloped Carrier and Containment Channels
- Factory Fabrications
- Complete Technical Support

Groundwater protection is a major concern in most chemical processing and industrial environments and new EPA regulations require double containment to prevent leaks and spills from contaminating water tables. Aquaduct provides the industry with an innovative solution, combining the convenience of a trench drain with the safety and security of a double contained pipe.



Aquaduct Solution: Double Containment Trench

Trench Construction

This system is composed of carrier (primary) channel and containment (secondary) channel. Channels are available in corrosion resistant fiberglass utilizing many different resins or stainless steel.

The carrier trench serves to drain the liquids caught; while the containment trench serves as a backup in the event of a leak in the carrier trench.

The complete system has a built-in slope allowing the liquid materials to be drained to a catch basin or tank. High integrity, bolted and sealed lap joints are formed when male/female ends are mated.

The containment trench is sloped to ensure any leaks flow to the low points in the system where leak detection ports are positioned. The containment channels provide a minimum annular space of ¼" between channel walls.

Aquaduct will produce double containment trenches in sections up to 40 feet, to minimize the quantity of field joints. Aquaduct's field service technician will be available on site to seal field joints to guarantee a fail-safe system.

Sealing

The entire trench system is water tested prior to concrete pour, to ensure joints for both carrier and containment trenches are sound.

Although rare, should a leak occur, it may be quickly pinpointed through strategic positioning of the leak detection devices. A full repair is usually possible due to the entire trench being accessible from ground level.

ACO Polymer Products, Inc.

Head Office

12080 Ravenna Road
P.O. Box 245
Chardon, Ohio 44024
Tel: (440) 285-7000
Toll free: (800) 543-4764
Fax: (440) 285-7005
Email: info@acousa.com
Web: www.acousa.com

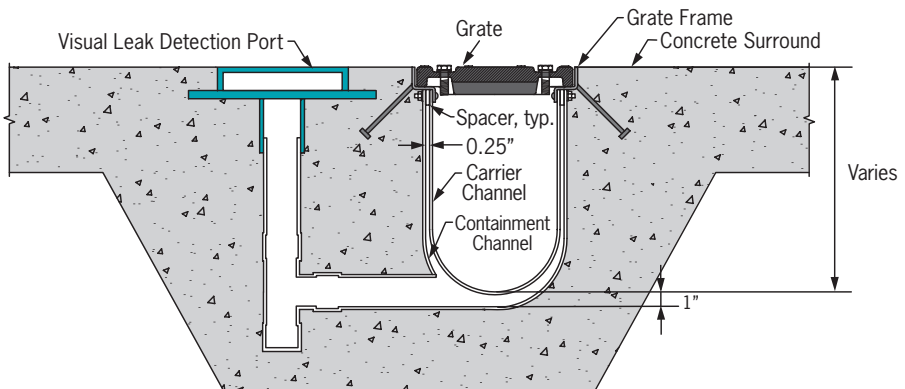


Grating and Frames

Aquaduct offers many frame and grate options to meet the special needs of handling hazardous and corrosive materials. Popular frame choices include stainless steel and FRP. Commonly used gratings include cast iron, stainless steel and fiberglass. Separate brochures on these materials are available upon request.

To design and quote a double contained trench drain Aquaduct requires:

- Chemicals present
- Dimensional requirements (width, depth, and length of drain)
- Hydraulic (flow) requirement of trench — catchment area, other inflows
- Loadings (for machinery, etc.)
- Type of leak detection equipment desired (visual or electronic)
- Other project site specific factors



Typical Aquaduct Custom Double Contained Trench Drain System
(NTS)

Aquaduct Support Office

4211 Pleasant Road
Fort Mill, SC 29708
Tel: (800) 543-4764
Email: info@acousa.com



© May 2012 ACO Polymer Products, Inc.

All reasonable care has been taken in compiling the information in this document. All recommendations and suggestions on the use of ACO products are made without guarantee since the conditions of use are beyond the control of the Company. It is the customer's responsibility to ensure that each product is fit for its intended purpose and that the actual conditions of use are suitable. ACO Polymer Products, Inc. reserves the right to change products and specifications without notice. Re-order #AQ002